

DS-KD8003-IME2
Video Intercom Two-Wire Module Door Station

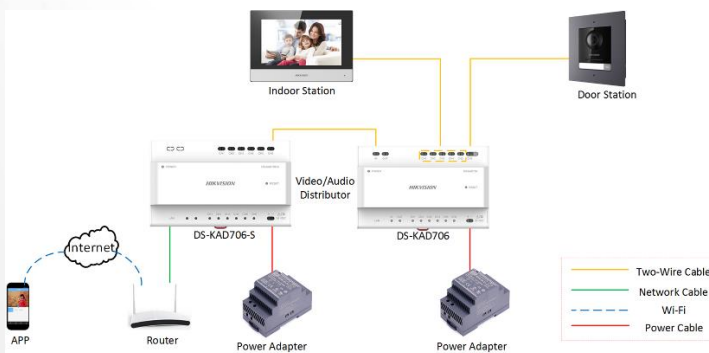
104-884



Key Feature

- Two-pin wire for power supply and network access
- Access control function
- Noise suppression and echo cancellation
- H.264 video compression
- Low illumination
- Tampering alarm
- Fisheye camera with IR supplement light
- Supports sub-modules' access (max. 8)
- Nametag customization

Typical Application



Display parameters

Size	/
Operation method	Physical button
Type	/
Resolution	/

Video parameters

Video compression standard	H.264
Supplement light	IR supplement
Lens	1
FOV	Horizontal 180° , vertical 96°
WDR	True wide dynamic
Pixel	Main stream: 1920 × 1080, (720p configurable); sub stream: 720 × 480

Audio parameters

Audio compression standard	G.711 U
Audio input	Omnidirectional microphone
Audio output	Loudspeaker, 20 cm sound effect > 80db
Audio compression bitrate	64 Kbps
Audio quality	Noise suppression and echo cancellation

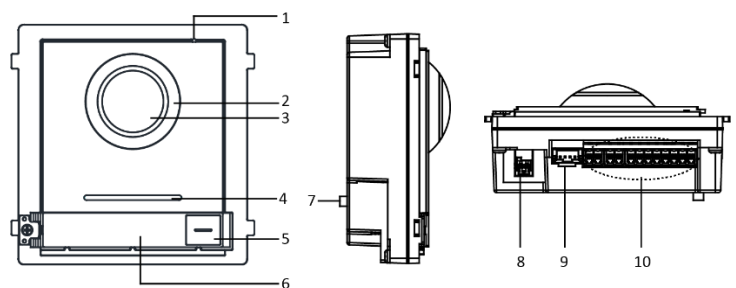
Specification

System parameters	
Operation system	Embedded Linux operation system
Flash	16MB
RAM	256MB
CPU	Embedded microcontroller

Volume adjustment	Adjustable
Capacity	
Fingerprint capacity	/
User capacity	2000
Face capacity	/
Linked indoor station	100
Event capacity	/
Network parameters	
Communication protocol	TCP/IP, RSTP
Wired network	Two-wire transmission
Wi-Fi	/
Bluetooth	/
3G/4G	/
Device interfaces	
Alarm input	4
Network interface	0
TAMPER	1
Exit button	2
RS-485	1 (inter-module connection)
USB	0
Wiegand	0
TF card	0
Alarm output	0
Lock control	2
Door contact input	2
Power interface	1
General	
Button	1
Installation	Wall mounting
Indicator	0
Weight	/
Protective level	IP65
Power supply method	24 VDC two-wire power supply ($\leq 16\text{ W}$) or 12 VDC independent power supply ($\leq 20\text{ W}$)
Working temperature	-40 ° C to 60 ° C (-40 ° F to 140 ° F)
Working humidity	10% to 95%

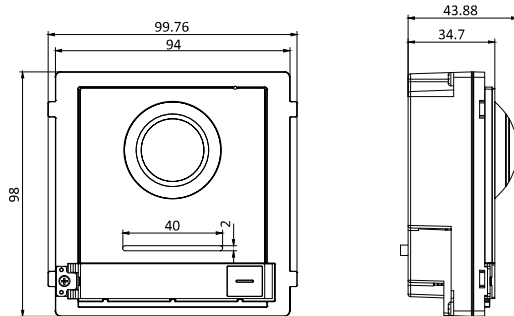
Dimensions	98 mm × 99.8 mm × 43.9 mm (3.86" × 3.93" × 1.73")
Battery	/
Application environment	Outdoor
Power consumption	24 VDC two-wire power supply ($\leq 16\text{ W}$) or 12 VDC independent power supply 20 W)

Appearance and Interfaces



No.	Description	No.	Description
1	Microphone	6	Nametag
2	Low Illumination IR Supplement Light	7	TAMPER
3	Built-in Camera	8	Network Interface and Power Supply
4	Loudspeaker	9	Module-connecting Interface (output)
5	Call Button	10	Terminals

Dimensions



ORDERING INFORMATION

104-884 Hikvision DS-KD8003-IME2



Innovative Electronic Solutions
www.ness.com.au



NSW Ph 02 8825 9222
sales@ness.com.au

VIC Ph 03 9875 6400
nessmelb@ness.com.au

QLD Ph 07 3399 4910
nessbris@ness.com.au

WA Ph 08 9328 2511
nessper@ness.com.au

SA Ph 08 8152 0000
adelaide@ness.com.au