

DS-2CD6D54G1-ZS/RC
Quad-Directional Varifocal PanoVu Camera

114-207B



- 4 adjustable lenses in one camera cover up to 360° field of view, ensuring no blind area monitoring and the monitoring tilt angle can be adjusted
- Each lens up to 5 MP, capturing clear images, and more details can be displayed on video wall
- In-ceiling mounting makes the camera unnoticeable and user friendly
- Clear imaging against strong back light due to 120 dB true WDR technology
- Water and dust resistant (IP67) and vandal proof (IK10)
- 3D DNR technology delivers clean and sharp images
- Audio and alarm interface available

▪ **DORI**

The DORI (detect, observe, recognize, identify) distance gives the general idea of the camera ability to distinguish persons or objects within its field of view. It is calculated based on the camera sensor specification and the criteria given by EN 62676-4: 2015.

| DORI | Detect | Observe | Recognize | Identify |
|-----------------|--------|---------|-----------|----------|
| Distance (Wide) | 60 m | 23 m | 12 m | 6 m |
| Distance (Tele) | 120 m | 47 m | 24 m | 12 m |

Specification

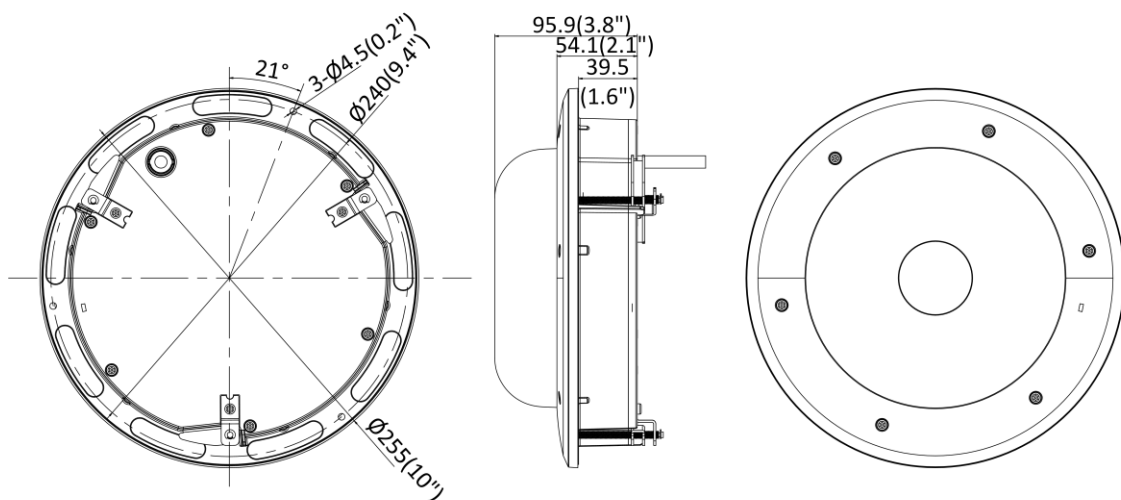
| Camera | |
|-----------------------------|---|
| Image Sensor | 1/2.7" Progressive Scan CMOS |
| Min. Illumination | Color: 0.0125 Lux @(F1.9, AGC ON) B/W: 0.0025 Lux @(F1.9, AGC ON) |
| Shutter Speed | 1 s to 1/100,000 s |
| Slow Shutter | Yes |
| Day & Night | IR cut filter |
| Angle Adjustment | Pan: -60° to 60°, tilt: 10° to 90°, rotate: 0° to 350° |
| WDR | 120 dB |
| Lens | |
| Aperture | F1.9 |
| Focus | Manual, semi-auto |
| FOV | Horizontal FOV 100° to 49°, vertical FOV 72° to 36.4°, diagonal FOV 134.4° to 61.4° |
| Lens Mount | Ø14 |
| Lens Type | Varifocal lens, 2.8 to 8 mm |
| Video | |
| Max. Resolution | 2560 × 1920 |
| Video Stream | 3 defined streams |
| Main Stream | 50 Hz: 25 fps (2560 × 1920, 2048 × 1536, 1920 × 1080, 1280 × 720) 60 Hz: 24 fps (2560 × 1920, 2048 × 1536, 1920 × 1080, 1280 × 720) |
| Sub-Stream | 50 Hz: 25 fps (704 × 576, 640 × 480) 60 Hz: 24 fps (704 × 480, 640 × 480) |
| Third Stream | 50 Hz: 6 fps (1920 × 1080, 1280 × 720, 704 × 576, 640 × 480) 60 Hz: 8 fps (1920 × 1080, 1280 × 720, 704 × 480, 640 × 480) |
| Video Compression | Main stream: H.265+/H.265/H.264+/H.264 Sub-stream: H.265/H.264/MJPEG Third stream: H.265/H.264 |
| H.264 Type | Baseline Profile/Main Profile/High Profile |
| H.265 Type | Main Profile |
| Video Bit Rate | 32 Kbps to 16 Mbps |
| SVC | H.264 encoding |
| H.264+ | Main stream support |
| H.265+ | Main stream support |
| Audio | |
| Audio Compression | G.711/G.722.1/G.726/MP2L2/PCM |
| Audio Bit Rate | 64Kbps(G.711)/16Kbps(G.722.1)/16Kbps(G.726)/32-192Kbps(MP2L2)/32Kbps(PCM) |
| Environment Noise Filtering | Yes |
| Audio Sampling Rate | 8 kHz/16 kHz/32 kHz/44.1 kHz/48 kHz |
| Smart Feature-Set | |
| Smart Event | Line crossing detection, up to 4 lines configurable Intrusion detection, up to 4 regions configurable Region entrance detection, up to 4 regions configurable Region exiting detection, up to 4 regions configurable Unattended baggage detection, up to 4 regions configurable Object removal detection, up to 4 regions configurable Scene change detection, audio exception detection, defocus detection |
| Basic Event | Motion detection, video tampering alarm, exception (network disconnected, IP address conflict, illegal login, HDD full, HDD error) |
| Region of Interest | 4 fixed regions and dynamic face tracking for each stream |

| | |
|----------------------------------|--|
| Linkage Method | Upload to FTP/NAS/memory card, notify surveillance center, send email, trigger alarm output, trigger recording, trigger capture |
| Image | |
| Image Enhancement | BLC, HLC, 3D DNR, Defog, EIS |
| Image Setting | Rotate mode, saturation, brightness, contrast, sharpness, AGC, and white balance are adjustable by client software or web browser |
| Target Cropping | Yes |
| Day/Night Switch | Day/Night/Auto/Schedule/Triggered by Alarm In |
| Picture Overlay | LOGO picture can be overlaid on video with 128 × 128 24 bit bmp format |
| SNR | ≥52 dB |
| Network | |
| Network Storage | microSD/SDHC/SDXC card (128 GB), local storage and NAS (NFS,SMB/CIFS), ANR |
| Protocols | TCP/IP, ICMP, HTTP, HTTPS, FTP, DHCP, DNS, DDNS, RTP, RTSP, RTCP, PPPoE, NTP, UPnP, SMTP, SNMP, IGMP, 802.1X, QoS, IPv6, UDP, Bonjour |
| API | Open Network Video Interface (PROFILE S, PROFILE G, PROFILE T), ISAPI, SDK, Ehome |
| Security | Password protection, complicated password, HTTPS encryption, 802.1X authentication (EAP-MD5), watermark, IP address filter, basic and digest authentication for HTTP/HTTPS, WSSE and digest authentication for Open Network Video Interface |
| Simultaneous Live View | Up to 20 channels |
| User/Host | Up to 32 users. 3 user levels: administrator, operator and user |
| Client | iVMS-4200, Hik-Connect, Hik-Central |
| Web Browser | IE8+, Chrome41.0-44, Firefox30.0-51, Safari8.0-11 |
| Interface | |
| Communication Interface | 1 RJ45 10M/100M/1000M Ethernet port built-in RS-232 1 RS-485 interface (half duplex, HIKVISION, Pelco-P, Pelco-D, self- adaptive) |
| Audio | 1 input (line in), 1 output (line out), 3.5 mm three-contact |
| Alarm | 2 inputs, 2 outputs (max. 24 VDC, 1A) |
| On-board Storage | Built-in microSD/SDHC/SDXC slot, up to 128 GB |
| Approval | |
| EMC | 47 CFR Part 15, Subpart B; EN 55032: 2015, EN 61000-3-2: 2014, EN 61000-3-3: 2013, EN 50130-4: 2011 +A1: 2014; AS/NZS CISPR 32: 2015; ICES-003: Issue 6, 2016; KN 32: 2015, KN 35: 2015 |
| Safety | UL 60950-1, IEC 60950-1:2005 + Am 1:2009 + Am 2:2013, EN 60950-1:2005 + Am 1:2009 + Am 2:2013, IS 13252(Part 1):2010+A1:2013+A2:2015 |
| Chemistry | 2011/65/EU, 2012/19/EU, Regulation (EC) No 1907/2006 |
| Protection | IK10 (IEC 62262:2002), IP67 (IEC 60529-2013) |
| General | |
| Firmware Version | V5.5.32 |
| Web Client Language | 32 languages English, Russian, Estonian, Bulgarian, Hungarian, Greek, German, Italian, Czech, Slovak, French, Polish, Dutch, Portuguese, Spanish, Romanian, Danish, Swedish, Norwegian, Finnish, Croatian, Slovenian, Serbian, Turkish, Korean, Traditional Chinese, Thai, Vietnamese, Japanese, Latvian, Lithuanian, Portuguese (Brazil) |
| General Function | Anti- flicker, 3 streams, heartbeat, mirror, privacy masks |
| Reset | Reset via reset button on camera body, web browser and client software |
| Startup and Operating Conditions | -30 °C to 60 °C (-22 °F to 140 °F), humidity 95% or less (non-condensing) |
| Storage Conditions | -30 °C to 60 °C (-22 °F to 140 °F), humidity 95% or less (non-condensing) |

| | |
|-------------------------------|---|
| Power Supply | 12 VDC ± 20%, reverse polarity protection; three-core terminal block 24 VAC ± 20%; PoE (802.3af, class 0) |
| Power Consumption and Current | 12 VDC, 1.2 A, 14 W 24 VAC, 1 A, 14 W PoE (802.3af, 36 to 57 VDC), 0.36 A to 0.22 A, 13 W, class 0 |
| Material | Bubble: plastic, camera: metal |
| Dimensions | Camera: Ø255 × 95.9 mm (10" × 3.8") With package: 312 × 311 × 163 mm (13.2" × 10.3" × 11.5") |
| Weight | Camera: 2.1 kg (4.7 lb.) With package: 3.4 kg (7.5 lb.) |

*The VCA function can be enabled for any channel separately, or for both Camera 01 and Camera 03, or Camera 02 and Camera 04.

▪ Dimension



Unit: mm(inch)

ORDERING INFORMATION

114-207B

Hikvision DS-2CD6D54G1-ZS/RC Multi-Lens PanoVu



Innovative Electronic Solutions
www.ness.com.au



NSW Ph 02 8825 9222
sales@ness.com.au

VIC Ph 03 9875 6400
nessmelb@ness.com.au

QLD Ph 07 3399 4910
nessbris@ness.com.au

WA Ph 08 9328 2511
nessper@ness.com.au

SA Ph 08 8152 0000
adelaide@ness.com.au