

**DS-2DE3204W-DE (B)  
2 MP Network Mini PTZ Dome Camera**

104-836



This Micro-designed 3" PTZ Mini Dome Camera shows the easiest installation, adjustment and maintenance that you have ever seen. It is a fantastic and practical camera for outdoor. In addition, DS-2DE3204W-DE (B) support 4 × optical zoom technology, PoE & 12VDC power supply. Embedded with 1/2.8" progressive scan CMOS chip makes DWDR and 2 MP real-time resolution possible. With the pan/tilt and 4 × optical zoom Day/Night lens, the camera offers more details in the outdoor environments. Hikvision DS-2DE3204W-DE (B) Mini PTZ Dome Cameras also features a wide range of functions, including intrusion detection, line crossing detection, motion detection and audio exception, benefitting users with great improvement on security efficiency, more importantly, with key events/objects being recorded for further forensic needs.

- 1/2.8" progressive scan CMOS
- Up to 1920 × 1080 resolution
- 4 × optical zoom
- DWDR
- IP66, IK10
- PoE (802.3af)
- Support RS-485
- Support plug & play

## Specifications

Camera Module	
Image Sensor	1/2.8" progressive scan CMOS
Min. Illumination	Color: 0.05 Lux @(F1.5, AGC ON) B/W:0.01 Lux @(F1.5, AGC ON)
White Balance	Auto/Manual/ATW (Auto-tracking White Balance)/Indoor/Outdoor/Fluorescent Lamp/Sodium Lamp
Gain	Auto/Manual
Shutter Time	1 to 1/30,000 s
Day & Night	IR Cut Filter
Digital Zoom	16 ×
Privacy Mask	8 programmable privacy masks
Focus Mode	Auto/Semi-automatic/Manual
DWDR	Yes
Lens	
Focal Length	2.8 mm to 12 mm, 4 × optical zoom
Zoom Speed	Approx. 2 s (optical lens, wide-tele)
Field of View	Horizontal field of view: 100.5° to 32.6° (wide-tele) Vertical field of view: 52.8° to 18.3° (wide-tele) Diagonal field of view: 120.2° to 37.5° (wide-tele)
Aperture Range	F1.5 to F2.7
PTZ	
Movement Range (Pan)	0° to 350°
Pan Speed	Configurable, from 0.1°/s to 60°/s. Preset Speed: 60°/s
Movement Range (Tilt)	0° to 90°
Tilt Speed	Configurable, from 0.1°/s to 50°/s. Preset Speed: 50°/s
Presets	300
Patrol Scan	8 patrols, up to 32 presets for each patrol
Park Action	Preset/Patrol Scan
Scheduled Task	Preset/Reboot/Patrol Scan/Dome Adjust/Aux output
Compression Standard	
Image Compression	H.265+/H.265/H.264+/H.264/MJPEG
Audio Compression	G.711alaw/G.711ulaw/G.726/MP2L2/PCM
Smart Features	
Basic Event	Motion Detection, Video Tampering Detection, Exception
Smart Event	Intrusion Detection, Line Crossing Detection, Audio Exception Detection
ROI	Support 4 areas with adjustable levels
Image	
Max. Resolution	1920 × 1080

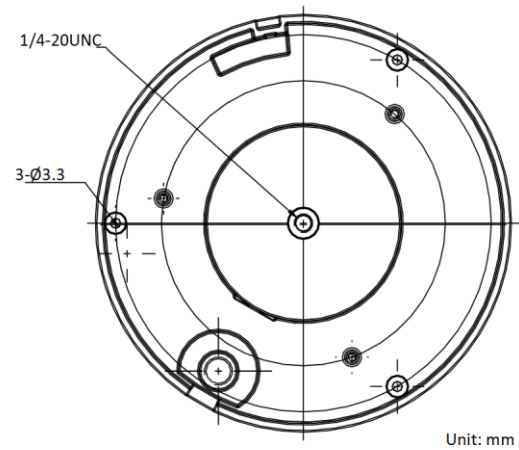
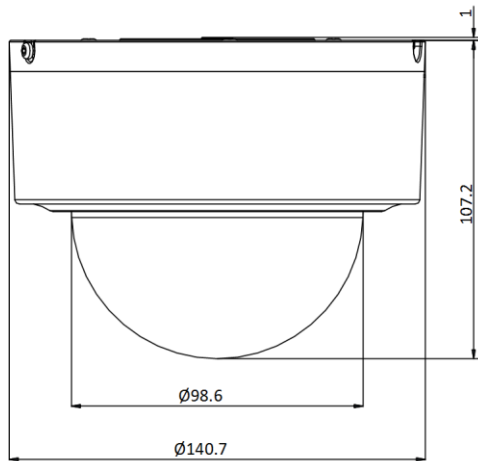
Main Stream	50Hz: 25fps (1920 × 1080, 1280 × 960, 1280 × 720), 50fps (1280 × 960, 1280 × 720) 60Hz: 30fps (1920 × 1080, 1280 × 960, 1280 × 720), 30fps (1280 × 960, 1280 × 720)
Sub-Stream	50Hz: 25fps (704 × 576, 640 × 480, 320 × 288) 60Hz: 30fps (704 × 480, 640 × 480, 320 × 240)
Third Stream	50Hz: 25fps (1920 × 1080, 1280 × 720, 704 × 576, 640 × 480, 320 × 288) 60Hz: 30fps (1920 × 1080, 1280 × 720, 704 × 480, 640 × 480, 320 × 240)
Image Enhancement	3D DNR/HLC/BLC
<b>Network</b>	
Network Storage	Support up to 128GB Micro SD/SDHC/SDXC card. Support Edge recording
Alarm Linkage	Alarm actions, such as Preset, Trigger Recording, Alarm Output, Notify Surveillance Center, Upload to FTP, Send Email
Protocols	IPv4/IPv6, HTTP, HTTPS, 802.1X, QoS, FTP, SMTP, UPnP, SNMP, DNS, DDNS, NTP, RTSP, RTP, TCP, UDP, IGMP, ICMP, DHCP, PPPoE
API	ONVIF (Profile S, Profile G, Profile T), ISAPI, SDK
Simultaneous Live View	Up to 20 users
User/Host	Up to 32 users. 3 user levels, administrator, operator and user
Security Measures	User authentication (ID and PW); Host authentication (MAC address); IP address filtering
Web Browser	IE 8 to 11, Chrome 31.0+, Firefox 30.0+, Edge 16.16299+
<b>Interface</b>	
Alarm Interface	1-ch alarm input and 1-ch alarm output
Audio Interface	1-ch audio input (Mic/Line in), 2.0 to 2.4V[p-p]; output impedance: 1KΩ, ±10% 1-ch audio output, Line level, impedance: 600Ω
Network Interface	10Base-T / 100Base-TX, RJ45 connector
RS-485	Half duplex, HIKVISION, Pelco-P, Pelco-D, self-adaptive
<b>General</b>	
Language (Web Browser Access)	32 languages. English, Russian, Estonian, Bulgarian, Hungarian, Greek, German, Italian, Czech, Slovak, French, Polish, Dutch, Portuguese, Spanish, Romanian, Danish, Swedish, Norwegian, Finnish, Croatian, Slovenian, Serbian, Turkish, Korean, Traditional Chinese, Thai, Vietnamese, Japanese, Latvian, Lithuanian, Portuguese (Brazil)
Power	12 VDC, 1.0 A, Max. 8W and PoE (802.3af), 36 to 57 VDC, 0.35 A, Class 3
Working Environment	Temperature: -30°C to 65°C (-22°F to 149°F), humidity: ≤ 90%
Protection Level	IP66, IK10, 4000V Lightning Protection, Surge Protection, Voltage Transient Protection
Certification	FCC, CE, UL, RoHS, IEC/EN 61000, IEC/EN 55022, IEC/EN 55024, IEC /EN60950-1
Dimension	Φ 140.7 mm × 107.2 mm (Φ 5.5" × 4.2")
Weight	Approx. 0.95 kg (2.1 lb.)

## DORI

The DORI (detect, observe, recognize, identify) distance gives the general idea of the camera ability to distinguish persons or objects within its field of view. It is calculated based on the camera sensor specification and the criteria given by EN 62676-4: 2015.

DORI	Detect	Observe	Recognize	Identify
Definition	25 px/m	63 px/m	125 px/m	250 px/m
Distance (Tele)	130.9 m (429.5 ft)	51.9 m (170.4 ft)	26.2 m (85.9 ft)	13.1 m (42.9 ft)

## Dimensions



Unit: mm

**Accessories**

**Optional**



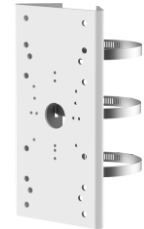
**DS-1227ZJ-PT6**  
In-ceiling Mount



**DS-1273-ZJ-PT6**  
Wall Mount



**DS-1280ZJ-PT6**  
Junction Box



**DS-1297ZJ-ES**  
Pendant Mount  
(extendable)



**DS-1276ZJ-SUS**  
Corner Mount



**ADS-12FG-12N 12012EPG(EU)**  
**DSA-12PFT-12FUS120100(USA)**  
**DSA-12PFG-12 FUK 120100(UK)**  
**DSA-12PFT-12 FUS 120100(JP)**  
Power adapter



**LAS30-57CN-RJ45**  
Hi-PoE Midspan



**DS-1100KI**  
Network Keyboard



**DS-1005KI**  
USB Joy-stick

**ORDERING INFORMATION**

104-836

Hikvision DS-2DE3204W-DE Mini Dome PTZ 2MP4x



Innovative Electronic Solutions  
[www.ness.com.au](http://www.ness.com.au)



**NSW** Ph 02 8825 9222  
[sales@ness.com.au](mailto:sales@ness.com.au)

**VIC** Ph 03 9875 6400  
[nessmelb@ness.com.au](mailto:nessmelb@ness.com.au)

**QLD** Ph 07 3399 4910  
[nessbris@ness.com.au](mailto:nessbris@ness.com.au)

**WA** Ph 08 9328 2511  
[nessper@ness.com.au](mailto:nessper@ness.com.au)

**SA** Ph 08 8152 0000  
[adelaide@ness.com.au](mailto:adelaide@ness.com.au)