

**DS-2DF8225IH-AEL(W) (D)**  
**2MP 25× IR Network Speed Dome**

**DarkFighterX**

104-944



Hikvision DS-2DF8225IH-AEL(W) 2MP 25× IR Network Speed Dome is a DarkfighterX series camera that adopts the patented dual-sensor design to process color and brightness independently, and outputs one FULL-COLOR image.

**Key Features**

- Dual-sensor, 1/2.8" Progressive Scan CMOS
- Full-color image output
- Up to 1920 × 1080 resolution
- Min. illumination:  
 Color: 0.0004 Lux @(F1.5, AGC ON)  
 B/W: 0.0001 Lux @(F1.5, AGC ON)  
 0 Lux with IR
- 25× Optical Zoom, 16× Digital Zoom
- Support H.265+/H.265 video compression
- Deep-learning-based target classification algorithm for auto-tracking 2.0 and perimeter protection
- 120 dB WDR, 3D DNR, HLC, BLC
- Up to 200 m IR distance, smart IR
- 24 VAC & Hi-PoE
- Optical defog
- Rapid focus
- Wiper, optional
- IK10 for model without wiper
- IP67

## Specification

Camera Module	
Image Sensor	Two 1/2.8" progressive scan CMOS
Min. Illumination	Color: 0.0004 Lux @(F1.5, AGC ON) B/W: 0.0001Lux @(F1.5, AGC ON) 0 Lux with IR
White Balance	Auto/Manual/ATW (Auto Tracking White Balance)/Indoor/Outdoor/Fluorescent Lamp/Sodium Lamp
AGC	Auto/Manual
Shutter Time	1/1 s to 1/30,000 s
Day & Night	Controlled by dual-sensor
Digital Zoom	16×
Privacy Mask	24 programmable polygon privacy masks
Focus Mode	Auto/Semi-automatic/Manual
WDR	120 dB
Lens	
Focal Length	4.8 mm to 120 mm, 25× Optical
Zoom Speed	Approx. 4.4 s (optical lens, wide-tele)
FOV	Horizontal field of view: 58.2° to 3.2° (wide-tele) Vertical field of view: 32.7° to 1.8° (wide-tele) Diagonal field of view: 66.8° to 3.7° (wide-tele)
Working Distance	10 mm to 1500 mm (wide-tele)
Aperture Range	F1.5 to F3.5
IR	
IR Distance	Up to 200 m
Smart IR	Yes
PTZ	
Movement Range (Pan)	360° endless
Pan Speed	Configurable, from 0.1°/s to 210°/s, Preset Speed: 280°/s
Movement Range (Tilt)	From -20° to 90°
Tilt Speed	Configurable, from 0.1°/s to 150°/s, Preset Speed: 250°/s
Proportional Zoom	Yes
Presets	300
Patrol Scan	8 patrols, up to 32 presets for each patrol
Pattern Scan	4 pattern scans, record time over 10 minutes for each scan
Power-off Memory	Yes
Park Action	Preset/Pattern Scan/Patrol Scan/Auto Scan/Tilt Scan/Random Scan/Frame Scan/Panorama Scan
PTZ Position Display	ON/OFF
Preset Freezing	Yes
Scheduled Task	Preset/Pattern Scan/Patrol Scan/Auto Scan/Tilt Scan/Random Scan/Frame Scan/Panorama Scan/Dome Reboot/Dome Adjust/Aux Output
Compression Standard	
Video Compression	Main Stream: H.265+/H.265/H.264+/H.264 Sub-Stream: H.265/H.264/MJPEG Third Stream: H.265/H.264/MJPEG
H.264 Type	Baseline Profile/Main Profile/High Profile
H.264+	Yes
H.265 Type	Main Profile

H.265+	Yes
Video Bitrate	256 kbps to 16384 kbps
Audio compression	G.711alaw/G.711ulaw/G.722.1/G.726/MP2L2/PCM
Audio Bitrate	64Kbps(G.711)/16Kbps(G.722.1)/16Kbps(G.726)/32-160Kbps(MP2L2)
SVC	Yes
<b>Smart Features</b>	
Perimeter Protection	Intrusion, Line Crossing, Region Entrance, Region Exiting Support alarm triggering by specified target types (human and vehicle) Filtering out mistaken alarm caused by target types such as leaf, light, animal, and flag, etc.
Event Detection	Face Detection, Audio Exception Detection, Motion Detection, Video Tampering Detection, Exception (Network Disconnected, IP Address Conflict, HDD Full, HDD Error, Illegal Login)
Smart Tracking	Event Tracking, supports tracking in multiple detection scenes
Smart Record	ANR (Automatic Network Replenishment), Dual-VCA
ROI	Eight fixed region for each stream
<b>Image</b>	
Max. Resolution	1920 × 1080
Main Stream	50Hz: 25fps (1920 × 1080, 1280 × 960, 1280 × 720) 60Hz: 30fps (1920 × 1080, 1280 × 960, 1280 × 720)
Sub-Stream	50Hz: 25fps (704 × 576, 640 × 480, 352 × 288) 60Hz: 30fps (704 × 480, 640 × 480, 352 × 240)
Third Stream	50Hz: 25fps (1920 × 1080, 1280 × 960, 1280 × 720, 704 × 576, 640 × 480, 352 × 288) 60Hz: 30fps (1920 × 1080, 1280 × 960, 1280 × 720, 704 × 480, 640 × 480, 352 × 240)
Image Enhancement	HLC, BLC, 3D DNR, Optical Defog, Regional Exposure, Regional Focus
SVC	Yes
<b>Network</b>	
Network Storage	Built-in memory card slot, support Micro SD/SDHC/SDXC, up to 256 GB; NAS (NFS, SMB/CIFS), ANR
Alarm Linkage	Alarm actions, such as Preset, Patrol Scan, Pattern Scan, Memory Card Video Record, Trigger Recording, Notify Surveillance Center, Upload to FTP/Memory Card/NAS, Send Email, etc.
Protocols	IPv4/IPv6, HTTP, HTTPS, 802.1x, Qos, FTP, SMTP, UPnP, SNMP, DNS, DDNS, NTP, RTSP, RTCP, RTP, TCP/IP, UDP, IGMP, ICMP, DHCP, PPPoE, Bonjour
API	Open-ended, support ONVIF and CGI, support HIKVISION SDK and Third-Party Management Platform
Simultaneous Live View	Up to 20 channels
User/Host	Up to 32 users. 3 levels: Administrator, Operator and User
Security Measures	User authentication (ID and PW), Host authentication (MAC address); HTTPS encryption; IEEE 802.1x port-based network access control; IP address filtering
Client	iVMS-4200
Web Browser	IE 8 to 11, Chrome 31.0 to 44, Firefox 30.0 to 51
<b>Interface</b>	
Alarm Interface	7-ch alarm input/2-ch alarm output
Audio Interface	1-ch audio input, 2 to 2.4 V[p-p], 1 K $\Omega$ $\pm$ 10% 1-ch audio output, line level, impedance: 600 $\Omega$
Network Interface	1 RJ45 10 M/100 M Ethernet Interface, Hi-PoE
RS-485	Half duplex, HIKVISION, Pelco-P, Pelco-D, self-adaptive
BNC	1.0 V [p-p]/75 $\Omega$ , NTSC (or PAL) composite, BNC
<b>General</b>	

Power	Without wiper: 24 VAC, max. 68 W (max. 12 W for heater, and max. 15 W for IR), Hi-PoE, max. 60 W With wiper: 24 VAC max. 70 W (max. 12 W for heater, and max. 15 W for IR), Hi-PoE, max. 60 W
Working Environment	Temperature: -40°C to 70°C (-40°F to 158°F) Humidity: ≤ 90%
Wiper	Optional
Protection Level	IP67 Standard. Lightning protection, surge protection and voltage transient protection meets IEC61000-4-2-2/3/4/5/6
Material	Aluminum alloy
Dimensions	Φ 266.6 mm × 437 mm (Φ 10.50" × 17.20")
Weight	Approx. 8 kg (17.64 lb)

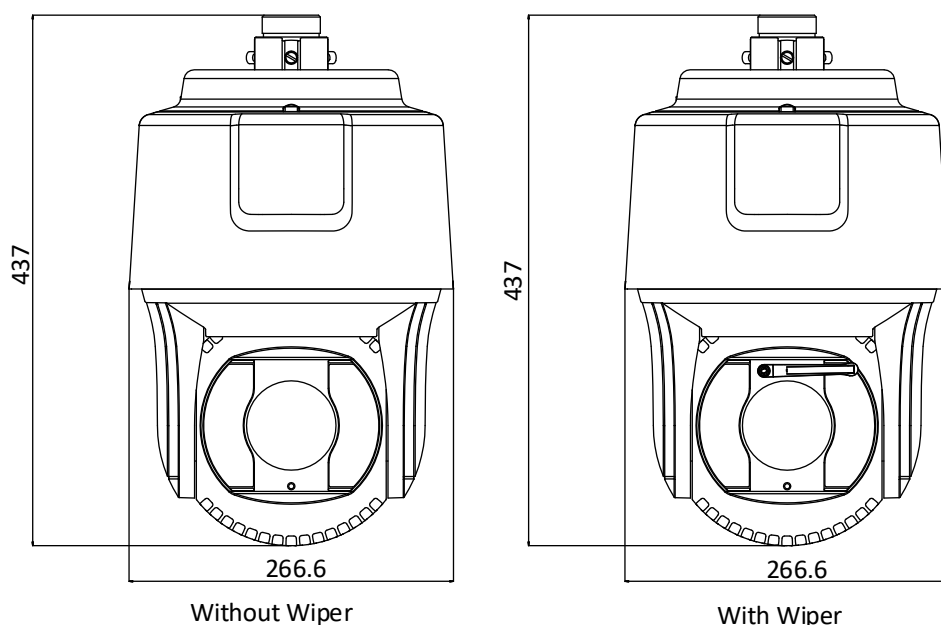
## DORI

The DORI (detect, observe, recognize, identify) distance gives the general idea of the camera ability to distinguish persons or objects within its field of view.

It is calculated based on the camera sensor specification and the criteria given by EN 62676-4: 2015.

DORI	Detect	Observe	Recognize	Identify
Definition	25 px/m	63 px/m	125 px/m	250 px/m
Distance (Tele)	1379.3 m (4525.3 ft)	547.3 m (1795.8 ft)	275.9 m (905.1 ft)	137.9 m (452.5 ft)

## Dimensions



Unit:mm

## Accessory

### Included:



Installation adapter

### Optional:



DS-1604ZJ-P  
Wall mount with junction box



DS-1661ZJ-P  
Pendant mount



DS-1682ZJ-P  
Extendable pole for pendant mount



DS-1662ZJ-P  
Pendant mount



DS-1604ZJ-Corner-P  
Corner mount



DS-1604ZJ-BOX-CORNER-P  
Wall mount with junction box



LAS60-57CN-RJ45  
Hi-PoE midspan



DS-1663ZJ-P  
Ceiling mount



DS-1660ZJ-P  
Parapet mount



DS-1667ZJ-P  
Extendable pole for pendant mount



DS-1604ZJ-Pole-P  
Vertical pole mount



DS-1604ZJ-BOX-P  
Wall mount with junction box



DS-1604ZJ-BOX-POLE-P  
Vertical pole mount with junction box



HKKD-13002 (EU)  
A24-5A-950 (USA)  
MKAC-76-245000V (UK)  
Power adapter

## ORDERING INFORMATION

104-944 Hikvision DS-2DF8 225IH-AEL(W) (D) DarkfighterX PTZ (with Wiper) 2MP 25X



Innovative Electronic Solutions  
www.ness.com.au



**NSW** Ph 02 8825 9222  
sales@ness.com.au

**VIC** Ph 03 9875 6400  
nessmelb@ness.com.au

**QLD** Ph 07 3399 4910  
nessbris@ness.com.au

**WA** Ph 08 9328 2511  
nessper@ness.com.au

**SA** Ph 08 8152 0000  
adelaide@ness.com.au